



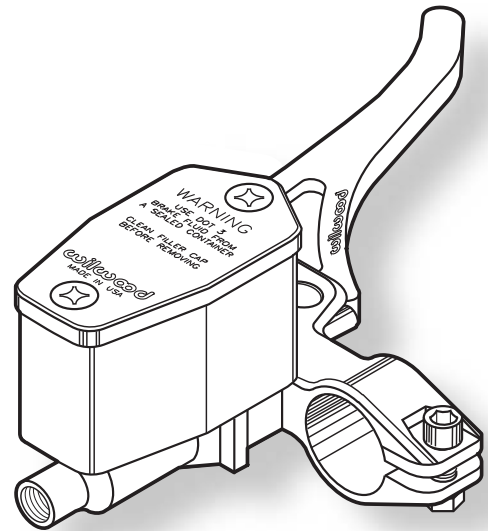
HANDLEBAR MASTER CYLINDER

Master Cylinder Highlights:

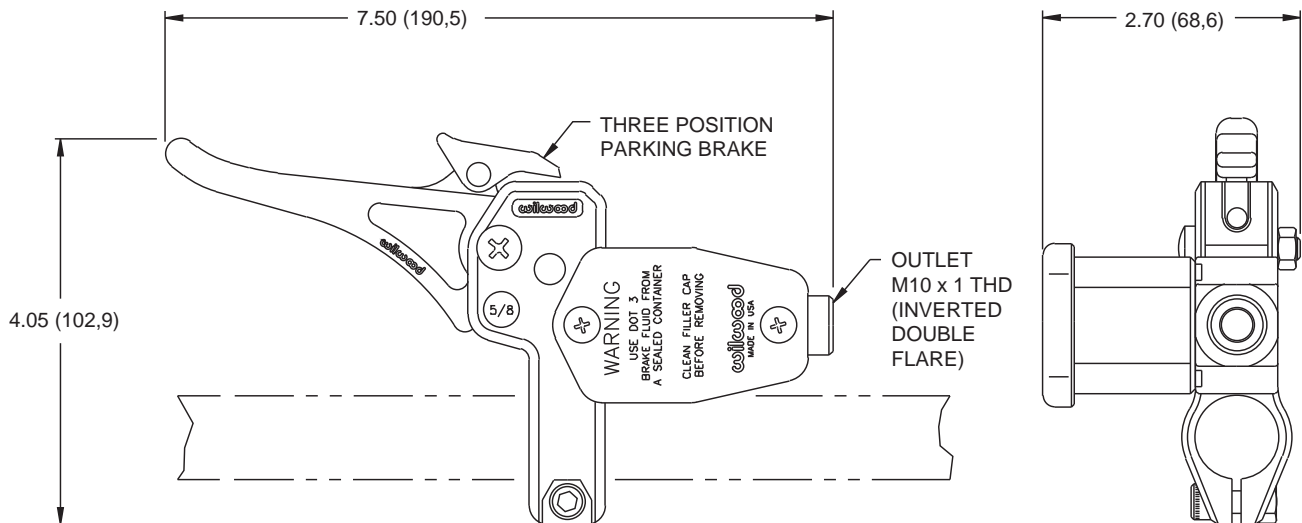
Wilwood's 5/8" bore **Handlebar Master Cylinder** is compact, lightweight and specifically designed for a variety of recreational, sport and outdoor equipment applications. Constructed of materials and finishes designed to resist corrosion, our master cylinder fits standard 7/8" diameter handlebars. Impact resistant lever comes with a three position hydraulic parking brake lock. The housing is designed to accept a bayonet style brake light switch.

The large capacity reservoir is translucent for easy fluid level viewing. The fluid inlet accepts an M10 x 1 thread inverted double flare fitting.

Wilwood's **Handlebar Master Cylinder** is designed, engineered and manufactured in the U.S.A.



WILWOOD HANDLEBAR MASTER CYLINDER, MOUNTING DIMENSIONS:



NOTE:
LEFT HAND UNIT SHOWN

ORDERING INFORMATION: SPECIFICATIONS, PART NUMBER:

Handlebar Master Cylinder - Left Hand	260-4201
Handlebar Master Cylinder - Right Hand	260-4202